

ALARM MANAGEMENT PRODUCTS



Series 90A-LC

Annunciator

For Power Generation, Transmission & Distribution, Petroleum, Petrochemical and Other Process Industries

Annunciator

The Series 90A-LC is an economical LED Display for remote annunciator applications. The display can be connected to other annunciator logic systems or can be directly connected to a PLC or DCS System.

Compact Size

The annunciator and all electronics are self contained within a compact frame less than 7" deep.

Reliability

Every Series 90A-LC Annunciator is equipped with low power, long life LED's. The brightness exceeds standard incandescent bulbs and they last years longer.

Flexible Design

The window legends are printed on standard transparency film, making it easy to change legends at any time.

FEATURES AND BENEFITS

- 1 LED illumination
- 2 Laser printed legends
- 3 Compact size
- 4 Screw terminal barrier block

Series 90A-LC Ordering Information

TYPICAL MODEL NUMBER (coded by color)

Series 90A-LC -PM -3H -6W -NPB -2 -36 -W -TP

Code Description

Series 90A-LC Series 90A-LC Alarm Annunciator

Mounting Options

PM Semi-Flush Panel Mounting
 PC Semi-Flush Panel Mounting with Rear Cover
 RK 19" Rack Mounting (5 Wide Systems Only)
 S Surface (Wall) Mounting (1H to 5H x 2W to 5W)

Number of Cells High – (1-13 H)

Number of Cells Wide – (1-13 W)

Pushbutton Controls

INTB Integral Test Pushbutton
 NPB No Integral Pushbutton

Window Size

4 Quad Size, 4 Inputs Per Cell, Each 1.5"H x 1.5"W
 3 Third Size, 3 Inputs Per Cell, Each 1.0"H x 3.0"W
 2 Half Size, 2 Inputs Per Cell, Each 1.5"H x 3.0"W
 1 Full Size, 1 Input Per Cell, Each 3.0"H x 3.0"W
 IMW Intermixed Window Size (Must Include Matrix)

Number of Active Alarm Points

Window Colors

W White Window Filter
 R Red Window Filter
 A Amber Window Filter
 G Green Window Filter
 B Blue Window Filter
 IMC Intermix Color

Window Legends

TP Legends Printed on Transparency Film (Field Changeable)
 ENG Legends Are Engraved on the Window Frames

SPECIFICATIONS

INPUT

FIELD CONTACTS, SWITCHED INPUTS

- Voltage: 24 VDC

CURRENT REQUIREMENTS PER INPUT

Window Size (inputs/cell)	# of LED's (per input)	Switched current @ 24 VDC
1	8	0.163 A
2	4	0.082 A
3	2	0.041 A
4	2	0.041 A

CONTROLS

LAMP TEST

- Voltage: 24 VDC

DISPLAY

LED

- White LED, minimum two per window

WINDOW SIZES

- Quad: 1.5" h x 1.5" w (38 x 38 mm)
- Third: 1.0" h x 3.0" w (25 x 76 mm)
- Half: 1.5" h x 3.0" w (38 x 76 mm)
- Full: 3.0" h x 3.0" w (76 x 76 mm)

WINDOW COLOR

- White, red, amber, yellow, green and blue

LEGENDS

- Laser printed on transparency film or engraved windows

CONNECTIONS

INPUT/OUTPUT TERMINALS

- Fixed barrier terminal block, 12 GA (2.5 mm) maximum, ring, spade or bare wire termination

MECHANICAL

MOUNTING

- Semi-flush panel mounting
- 19" rack mounting
- Wall (surface) mounting

WEIGHT

- 1.5 lbs per cell (0.34 kg per cell)

ENVIRONMENTAL

OPERATING TEMPERATURE RANGE

- -4 to 122°F (-20 to 50°C)

HUMIDITY

- 20-95% RH

ISOLATION

- 1950 VDC or 1400 VAC input to case

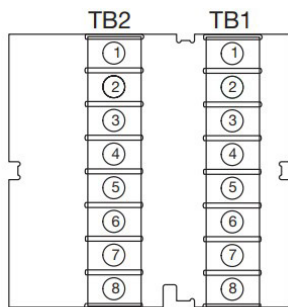
Panel Mounting Details in. (mm)

Cells H or W	Overall H or W	Panel cut-out H or W
1	5.0 (127)	4.06 (103)
2	8.47 (215)	7.53 (191)
3	11.94 (303)	11.00 (279)
4	15.40 (391)	14.47 (368)
5	18.88 (479)	17.94 (456)
6	22.34 (568)	21.41 (544)
7	25.81 (656)	24.88 (632)
8	29.28 (744)	28.34 (720)
9	32.75 (832)	31.81 (808)
10	36.22 (920)	35.28 (896)
11	39.69 (1008)	38.75 (984)
12	43.16 (1096)	42.22 (1072)
13	46.63 (1184)	45.69 (1161)
Depth behind panel: 6.75", 10" with rear cover		

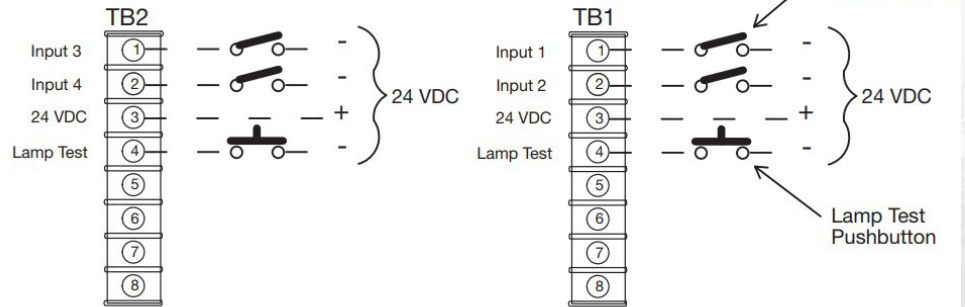
Example: 2 H x 3 W has a cut-out height of 7.53 (191) and a cut-out width of 11.0 (279)

Wiring Diagram

Input Terminal Ass'y (Rear View)



Input Wiring



WORLD HEADQUARTERS

255 North Union Street
Rochester, NY 14605
Toll Free: +1.800.950.6686
Tel: +585.263.7700
Fax: +585.454.7805

EUROPEAN HEADQUARTERS

UK
+44.770.280.9377
power.sales@ametek.com

ASIA PACIFIC HEADQUARTERS

Singapore
+65.6484.2388
sales@ametekasia.com

AMETEK INSTRUMENTS INDIA PVT. LTD.

Bengaluru
+91.80.6782.3252
power.sales@ametek.com

WEBSITE

www.ametekpower.com

EMAIL

pi.marketing@ametek.com



AMETEK®

POWER INSTRUMENTS

REV 06/2023