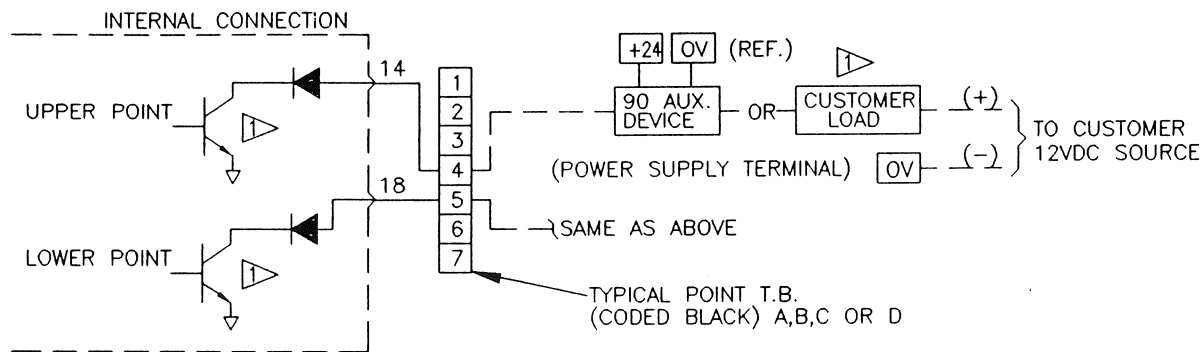


WIRING DIAGRAM



OPERATIONAL DESCRIPTION

OPTION CODE	INPUT STATUS	CONTACT STATUS	DESCRIPTION	OPTION CODE	LAMP STATUS	CONTACT STATUS	DESCRIPTION
1EH	NORMAL	OFF	FOLLOWS CONTACT OR TEST PUSHBUTTON	3EH	OFF	OFF	ON WHEN - EVER LAMP IS ON
	ALARM	ON			FF/SF/STDY	ON	
	TEST	ON			TEST	ON	
4EH	NORMAL	OFF	FOLLOWS CONTACT ONLY	5EH	OFF	OFF	ON WHEN LAMP IS ON DUE TO ALARM INPUT
	ALARM	ON			FF/SF/STDY	ON	
	TEST	OFF			TEST	OFF	
6EH	NORMAL	OFF	ON ONLY WHEN HORN IS ACTIVE				
	ALARM	ON					
	ACK	OFF					
	TEST	ON					

NOTES:

▶ TRANSISTOR RATINGS: 20VDC;(24VDC MAX); 10mA MAX
 SATURATION VOLTAGE 2.0VDC AT 10mA
 NOTE: EMITTER IS CONNECTED TO SYSTEM COMMON [OV]

SEE SEQUENCE CARD MODEL NUMBER FOR OPTION CODE ORDERED



PANALARM

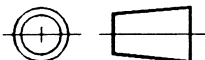
1725 WESTERN DRIVE, WEST CHICAGO, IL., 60185, U.S.A.
 PHONE: 1-630-231-5900 FAX: 1-630-231-4502

TOLERANCE UNLESS SPECIFIED

INCHES	MILLIMETERS
.X = .040	X.0 = 1.0
.XX = .015	0.X = 0.4
.XXX = .005	0.XX = 0.1
ANGLES	±0°30'



THIRD ANGLE PROJECTION



REV	ECN NO.	BY	APPD	DATE	SCALE NONE	© 1981
04	9090-37	JJ	RCV	09/13/84	DRWN BY TL / SK	
05	10892-05	SK	JT	12/17/92	APPD ARF	
06	11872	SK	<i>MAZ</i>	6/15/01	DATE 02/18/81	
					92450-_EH-1-06-01.dwg	
					SHEET 1 OF 1	

WIRING DIAGRAM,
 FOR ELECTRONIC OUTPUT ON
 TB4 & TB5



DWG. NO. 92450-*EH-1

-A-