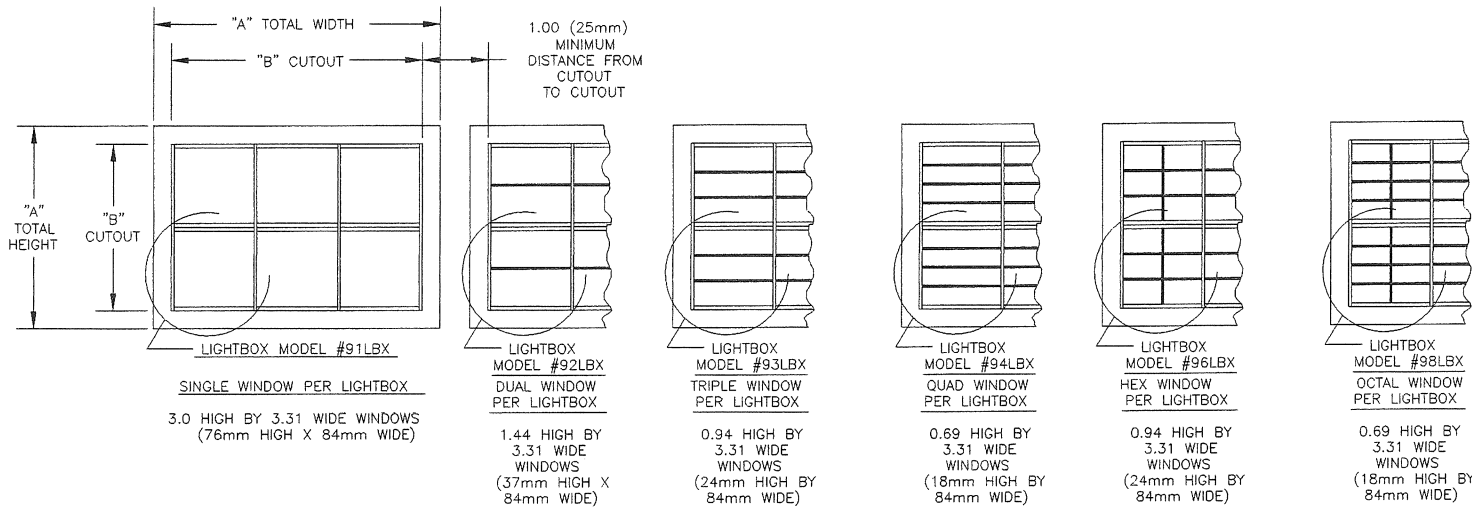
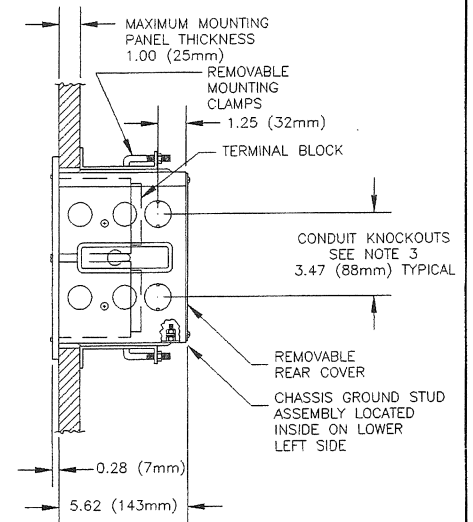


FRONT VIEWS



SIDE VIEW



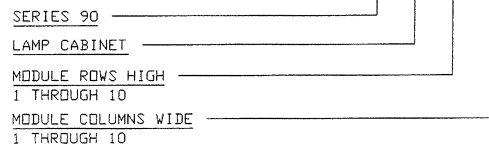
CABINET SIZE		"A" DIMENSION	"B" DIMENSION
MODULE ROWS HIGH	MODULE COLUMNS WIDE		+0.03 (.8mm) -0
1	1	5.00 (127mm)	4.06 (103mm)
2	2	8.47 (215mm)	7.53 (191mm)
3	3	11.94 (303mm)	11.00 (279mm)
4	4	15.41 (391mm)	14.47 (368mm)
5	5	18.88 (479mm)	17.94 (456mm)
6	6	22.34 (568mm)	21.41 (544mm)
7	7	25.81 (656mm)	24.88 (632mm)
8	8	29.28 (744mm)	28.34 (720mm)
9	9	32.75 (832mm)	31.81 (808mm)
10	10	36.22 (920mm)	35.28 (896mm)

WINDOW ENGRAVING CHART			
WINDOW STYLE	CHARACTER SIZE HIGH (APPROXIMATELY)	MAXIMUM LINES PER WINDOW	MAXIMUM CHARACTER & SPACES PER LINE
SINGLE ROW	0.28 (7.1mm)	6	12
DUAL ROW	0.22 (5.6mm)	4	16
TRIPLE ROW	0.18 (4.8mm)	3	22
QUAD ROW	0.16 (4.0mm)	3	26
HEX ROW	0.18 (4.8mm)	3	11
OCTAL ROW	0.16 (4.0mm)	3	13

NOTES:

- ALL DIMENSIONS ARE IN DECIMAL WITH CORRESPONDING MILLIMETERS IN PARENTHESES.
- CABINET FINISH IS CORROSION RESISTANT BLACK EPOXY POWDER. CABINET SIZE 1 MODULE HIGH X 1 MODULE WIDE NOT AVAILABLE. MOUNTING CLAMPS ON MODULE WIDE MOUNTED ON SIDES.
- CONDUIT KNOCKOUTS 0.75 (28mm) DIA. ONE ON EACH SIDE FOR EACH ROW HIGH AS SHOWN, & ONE EACH ON TOP & BOTTOM FOR EACH COLUMN WIDE (NOT SHOWN).
- STANDARD WINDOW NAMEPLATES ARE WHITE TRANSLUCENT POLYCARBONATE WITH ENGRAVED BLACK FILLED CHARACTERS PER CHART.
- LAMPS ARE ACCESSIBLE BY REMOVING SNAP-OFF WINDOW NAMEPLATES.
- MODULE ROWS HIGH & MODULE COLUMNS WIDE REFER TO THE MODULES, NOT THE INDIVIDUAL WINDOWS.

MODEL NUMBER EXPLANATION



REV	ECN NO.	BY	APPD	DATE	MATERIAL:
05	8900-53	TA	JWK	04/09/84	FINISH:
06	9190-09	TA	SWP	03/29/85	USED ON/REF. DWG
07	10546-01	SM	JT	08/07/91	
08	11094	SM	JT	08/26/92	
09	7095-10	SK	AHD	11/12/92	
10	11872	SK	MW	6/15/01	

TOL. UNLESS SPECIFIED
INCHES X = .015 .XX = .010 .XXX = .005
MILLIMETERS X.O = 1.0 0.X = 0.4 0.XX = 0.1
ANGLES ±0°30'
SCALE 1/8" INCH
NONE (MM)

PANALARM

DRAWN BY DMW / SK

APPD/DATE MW 6/15/01

THIRD ANGLE PROJECTION

AMETEK

PANALARM 1725 WESTERN DRIVE, WEST CHICAGO, IL, 60185, U.S.A.
PHONE: 1-630-231-5900 FAX: 1-630-231-4502

DIMENSIONAL OUTLINE,
MODEL 90CL, LAMP CABINET

SHEET 1 OF 1 DWG. NO. 90105-CL-1 -C-