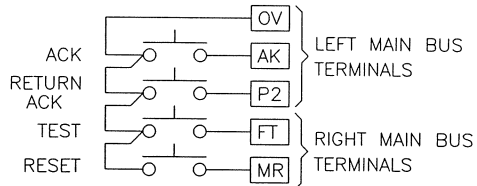
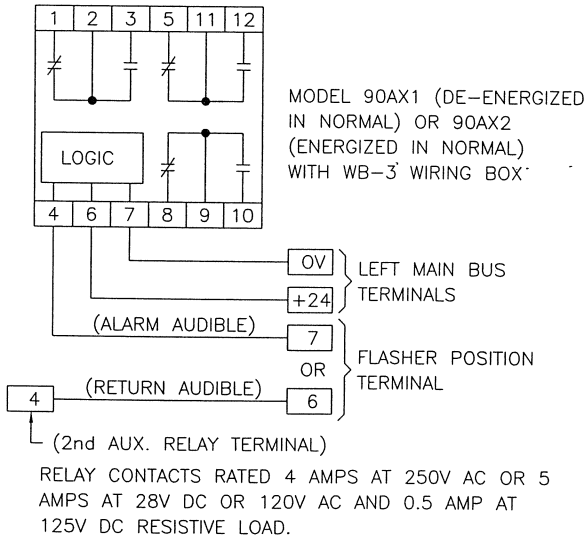


REMOTE PUSHBUTTON WIRING



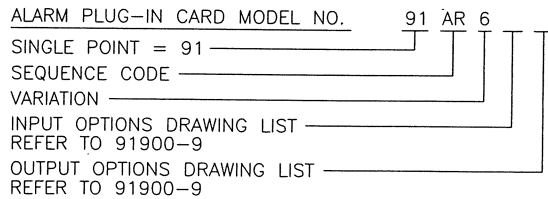
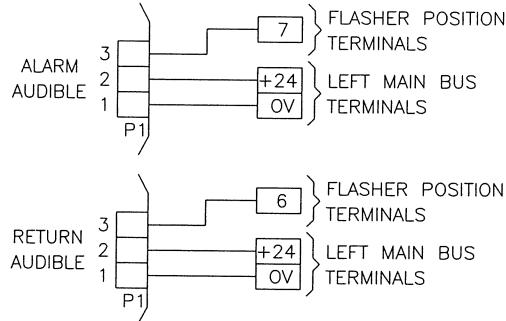
INTEGRAL PUSHBUTTON MODEL NO. 90PB44*

COMMON AUXILIARY RELAY WIRING
FOR CUSTOMER USE IF REQUIRED



NT2-24D AUDIBLE DEVICE WIRING

DIAGRAM SHOWS NOVATONE HORN WITH P1 TERMINAL BLOCK ON P.C. BOARD ATTACHED TO HORN (REF. DWG. 57100-48) FOR EARLIER VERSIONS WITH PIGTAIL LEADS, CONNECT BLACK TO OV, RED TO +24 AND BLUE TO FLASHER TERMINAL (REF. DWG. 57100-44).



OPERATIONAL SEQUENCE "ARRS"

INPUT STATUS	VISUAL	ALARM AUDIBLE	RETURN AUDIBLE
ALARM OR TEST	FAST FLASH	ON	OFF
ACKNOWLEDGE	STEADY-ON	OFF	OFF
RETURN TO NORMAL	SLOW FLASH	OFF	ON
RETURN ACKNOWLEDGE	SLOW FLASH	OFF	OFF
RESET	OFF	OFF	OFF

NOTES:

- IF A NEW ALARM OCCURS WHILE TESTING, POINT WILL INDICATE ALARM CONDITION (RE-ALARM) AFTER ACKNOWLEDGE PUSHBUTTON IS OPERATED.
- POINT WILL INDICATE ALARM WHEN TEST PUSHBUTTON IS OPERATED IF THE VISUAL INDICATOR IS OFF OR STEADY-ON.
- IF POINT REALARMS WHILE SLOW FLASHING (RETURNED TO NORMAL) POINT REVERTS TO ALARM STATUS.
- A SINGLE AUDIBLE DEVICE MAY BE USED BY CONNECTING TERMINALS 6 & 7 OF THE FLASHER POSITION TOGETHER, (SEQUENCE 'ARS')

REV	ECN NO.	BY	APPD	DATE	MATERIAL:
00	7097-69B	SK	CNL	12/15/99	FINISH:
01	11872	SK	<i>SK</i>	6/15/01	USED ON/REF. DWG
					DESCRIPTION

TOL. UNLESS SPECIFIED

INCHES
.X = .015
.XX = .010
.XXX = .005

MILLIMETERS
X.0 = 1.0
0.X = 0.4
0.XX = 0.1

ANGLES ±0°30'

SCALE INCH (MM)

NONE

PANALARM 1725 WESTERN DRIVE, WEST CHICAGO, IL., 60185, U.S.A.
PHONE: 1-630-231-5900 FAX: 1-630-231-4502

DWN. BY S. KUNCA
APPD/DATE CNL 12/15/99
THIRD ANGLE PROJECTION

CUSTOMER WIRING DIAGRAM AND SEQUENCE 'ARRS' INFORMATION FOR SERIES 90 UNIVERSAL P.C.B.

SHEET 1 OF 1

DWG. NO. 90450-AR6-2

-B-