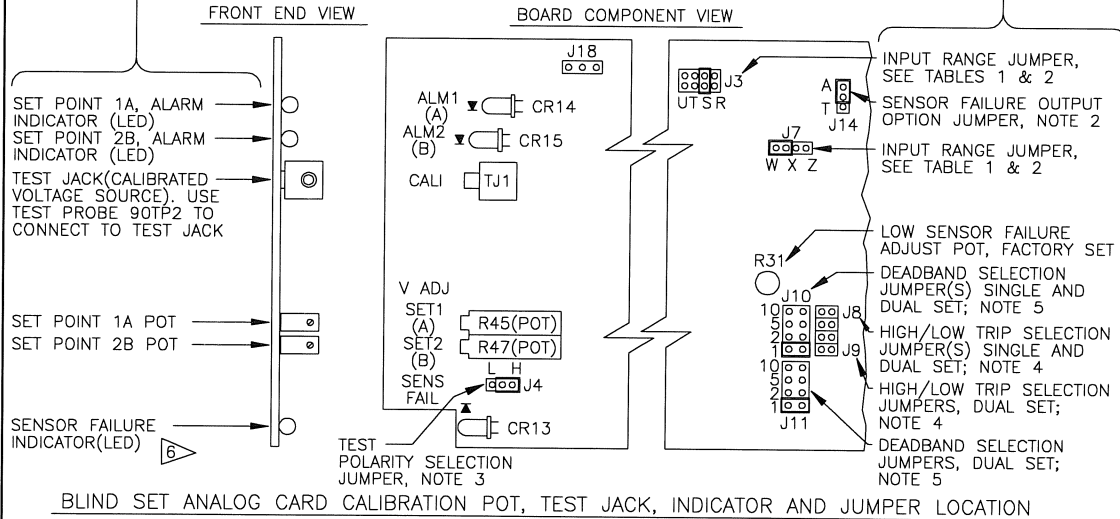


SEE INSTRUCTION MANUAL NO. 900251 FOR COMPLETE INSTALLATION INSTRUCTIONS AND CALIBRATION PROCEDURE

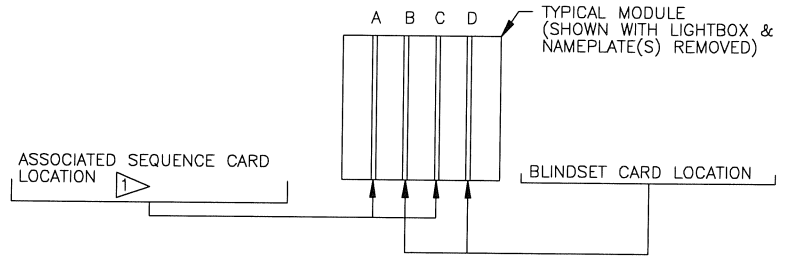


BLIND SET ANALOG CARD CALIBRATION POT, TEST JACK, INDICATOR AND JUMPER LOCATION

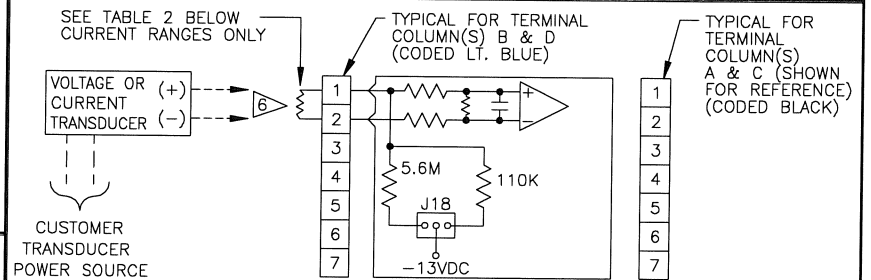
NOTES:

- FOR MODEL 91AB1\* (SINGLE SET) BLIND SET ANALOG CARD(S), USE SINGLE POINT SEQUENCE CARD(S) WITH DB12DC INPUT, NO/NC JUMPER MUST BE SET IN NC POSITION.  
FOR MODEL 91AB2\* (DUAL SET) BLIND SET ANALOG CARD(S), USE TWIN POINT SEQUENCE CARD(S) WITH DB12DC INPUT, NO/NC JUMPER MUST BE SET IN NC POSITION.
- SENSOR FAILURE OUTPUT OPTION: (FACTORY SET FOR BOTH ALARM OUTPUTS)  
A POSITION: SENSOR FAILURE ACTIVATES BOTH ALARM OUTPUTS.  
T POSITION: SENSOR FAILURE ACTIVATES TEST OUTPUT.
- TEST POLARITY OPTION: (FACTORY SET FOR HIGH TRIP)  
H POSITION: TEST P.B. WILL CHECK HIGH TRIP ALARMS.  
L POSITION: TEST P.B. WILL CHECK LOW TRIP ALARMS.
- HIGH OR LOW TRIP OPTION: (FACTORY SET FOR HIGH TRIP)  
BOTH JUMPER HORIZONTAL: ALARM FOR SIGNAL GREATER THAN SET POINT.  
BOTH JUMPER VERTICAL: ALARM FOR SIGNAL LESS THAN SET POINT.
- DEADBAND OPTION: (FACTORY SET FOR 1%)  
HORIZONTAL JUMPER: POSITION SELECTS 1, 2, 5 OR 10% DEADBAND.  
VERTICAL JUMPER: ANY POSITION SELECTS 1/2% DEADBAND.  
(OPTION "1DB" REDUCES ALL DEADBANDS BY 50%).
- TO PREVENT SENSOR FAILURE INDICATION ON MOST UN-WIRED POINTS, INSTALL A JUMPER FROM TERMINAL 1 TO TERMINAL 2. SENSOR FAILURE INDICATION ON UN-WIRED POINTS CANNOT BE PREVENTED ON THE 1.0V - 5.0V RANGE AND ON ALL CURRENT INPUT RANGES. IT IS SUGGESTED THAT THESE POINTS BE CONFIGURED AS -5V TO +5V POINTS (SEE TABLE 1) WITH EITHER A JUMPER OR 90ATB\* ACROSS THE INPUT TERMINALS UNTIL WIRING AND SIGNAL ARE PRESENT.

DASHED LINES INDICATE CUSTOMER FIELD WIRING



TYPICAL CARD ARRANGEMENT WITH STANDARD MODULE  
(SEQUENCE CARD POS. "A" INTERFACED WITH BLINDSET ANALOG CARD, POS. "B")  
(SEQUENCE CARD POS. "C" INTERFACED WITH BLINDSET ANALOG CARD, POS. "D" IF USED)



SIGNAL INPUT WIRING DIAGRAM

TABLE 1	MODEL NO.	RANGE	J3 POS.	J7 POS.	J18 POSITION
(VOLTAGE INPUT)	91AB*AXD1	0 TO 1.0V	R	Z	JUMP. 2 LT. PINS
		1 TO 5.0V	S	W	STORE ON RT. END
		0 TO 10V	T	Z	JUMP. 2 RT. PINS
		-5 TO +5V	T	X	JUMP. 2 RT. PINS
		-10 TO +10V	U	X	JUMP. 2 RT. PINS
		0.25 TO 1.25V AND CURRENT INPUTS	R	W	STORE ON RT. END
TABLE 2	MODEL NO.	RANGE	AUX. T.B. REQ'D	VALUE IN OHMS(1%MF)	
(CURRENT INPUT)	91AB*AXD1	10 TO 50mA	90ATB11	24.9	
		4 TO 20mA	90ATB9	61.9	
		1 TO 5mA	90ATB6	2.49	
		4 TO 2mA	90ATB10	619	

REV	ECN NO.	BY	APPD	DATE	MATERIAL:	
08	11072	SM	PG	08/17/92	FINISH:	
09	10892-04	SK	JT	10/15/92	USED ON/REF. DWG	DESCRIPTION
10	11160	SM	JT	11/19/92	91AB*	BLIND SET ANALOG DWG LIST
11	11872	SK		/ /	900251	INSTRUCTION MANUAL
					91900-AB-1	BLIND SET OPTION LIST

TOL. UNLESS SPECIFIED

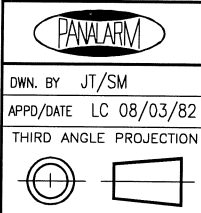
INCHES  
.X = .015  
.XX = .010  
.XXX = .005

MILLIMETERS  
X.0 = 1.0  
O.X = 0.4  
O.XX = 0.1

ANGLES X

SCALE INCH (MM)

NTS



**AMETEK**

**PANALARM** 1725 WESTERN DRIVE, WEST CHICAGO, IL., 60185, U.S.A.  
PHONE: 1-630-231-5900 FAX: 1-630-231-4502

INPUT WIRING DIAGRAM FOR MODEL 91AB\*AXD\*  
ACTIVE INSTRUMENTATION SIGNAL  
USED ON SERIES 90 BLIND SET ANALOG

SHEET 1 OF 1 DWG. NO. 91450-AXD\*-2 -B-