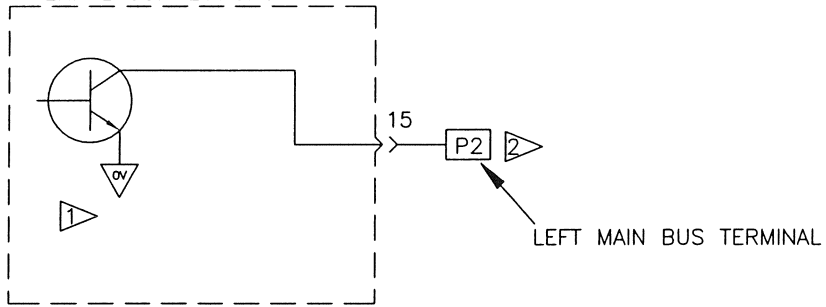


WIRING DIAGRAM

90 SERIES SEQUENCE CARD
INTERNAL CONNECTIONS



OPERATIONAL DESCRIPTION

OPTION CODE	INPUT STATUS	TRANSISTOR STATUS 1	DESCRIPTION
1EM	NORMAL	OFF	FOLLOWS CONTACT OR TEST PUSHBUTTON
	ALARM	ON	
	TEST	ON	
3EM	OFF	OFF	ON WHENEVER LAMP IS ON
	RF/SF/STDY	ON	
	TEST	ON	
4EM	NORMAL	OFF	FOLLOWS CONTACT ONLY
	ALARM	ON	
	TEST	OFF	

OPTION CODE	INPUT STATUS	TRANSISTOR STATUS 1	DESCRIPTION
5EM	OFF	OFF	ON WHEN LAMP IS ON DUE TO ALARM INPUT
	FF/SF/STDY	ON	
	TEST	OFF	
6EM	NORMAL	OFF	ON ONLY WHEN HORN IS ACTIVE
	ALARM	ON	
	ACK	OFF	
	TEST	ON	

NOTES:

- 1 TRANSISTOR RATINGS: 20V DC; (24V DC MAX.) 10mA MAX.
SATURATION VOLTAGE: 2.0V DC @ 10mA
NOTE: TRANSISTOR EMITTER CONNECTED TO SYSTEM COMMON 0V
- 2 THIS OPTION USED ONLY ON SYSTEMS NOT USING THE "P2" BUS FOR ANY OTHER PURPOSE.

SEE SEQUENCE CARD MODEL NUMBER FOR OPTION CODE ORDERED

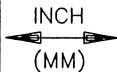


PANALARM

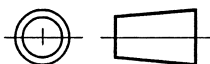
1725 WESTERN DRIVE, WEST CHICAGO, IL., 60185, U.S.A.
PHONE: 1-630-231-5900 FAX: 1-630-231-4502

TOLERANCE UNLESS SPECIFIED

INCHES	MILLIMETERS
.x = .040	X.0 = 1.0
.xx = .015	0.X = 0.4
.xxx = .005	0.xx = 0.1
ANGLES ±0°30'	



THIRD ANGLE PROJECTION



REV	ECN NO.	BY	APPD	DATE	SCALE NONE	© 1983
01	8900-36	RP	JWK	01/13/84	DRWN BY AK	
02	8984-03	AK	PG	03/09/84	APPD JWK	
03	8900-65	MR	AHD	05/07/84	DATE 06/24/83	
04	9090-37	JJ	RCV	09/13/84	91450-_EM-1-05-01.dwg	
05	7097-69B	SK	<i>MAZ</i>	6/15/01	SHEET 1 OF 1	

WIRING DIAGRAM,
FOR ELECTRONIC OUTPUT CONNECTED
TO PIN 15 (P2 BUS) OPTION "*EM"

DWG. NO. 91450-*EM-1

-A-