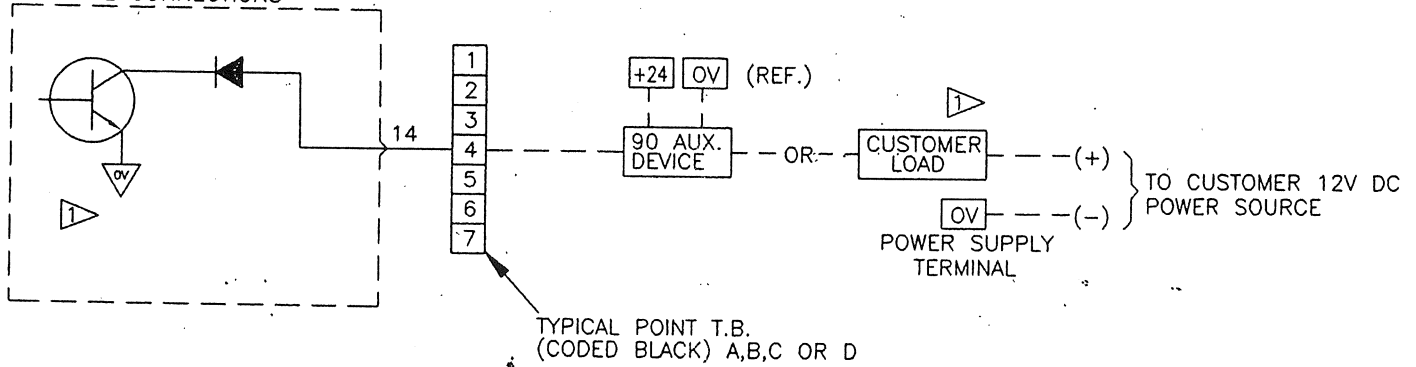


WIRING DIAGRAM

90 SERIES SEQUENCE CARD
INTERNAL CONNECTIONS



OPERATIONAL DESCRIPTION

OPTION CODE	INPUT STATUS	TRANSISTOR STATUS	DESCRIPTION
1EA	NORMAL	OFF	FOLLOWS CONTACT OR TEST PUSHBUTTON
	ALARM	ON	
	TEST	ON	
3EA	OFF	OFF	ON WHENEVER LAMP IS ON
	FF/SF/STDY	ON	
	TEST	ON	
4EA	NORMAL	OFF	FOLLOWS CONTACT ONLY
	ALARM	ON	
	TEST	OFF	

OPTION CODE	INPUT STATUS	TRANSISTOR STATUS	DESCRIPTION
5EA	OFF	OFF	ON WHEN LAMP IS ON DUE TO ALARM INPUT
	FF/SF/STDY	ON	
	TEST	OFF	
6EA	NORMAL	OFF	ON ONLY WHEN HORN IS ACTIVE
	ALARM	ON	
	ACK	OFF	
	TEST	ON	

NOTE:

TRANSISTOR RATINGS: 20V DC; (24V DC MAX.) 10mA MAX.
 SATURATION VOLTAGE: 2.0V DC @ 10mA
 NOTE: TRANSISTOR EMITTER CONNECTED TO SYSTEM COMMON

SEE SEQUENCE CARD MODEL NUMBER
FOR OPTION CODE ORDERED

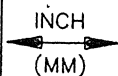


PANALARM

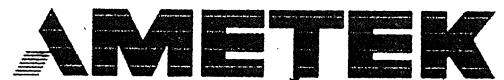
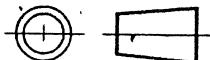
1725 WESTERN DRIVE, WEST CHICAGO, IL., 60185, U.S.A.
PHONE: 1-630-231-5900 FAX: 1-630-231-4502

TOLERANCE UNLESS SPECIFIED

INCHES	MILLIMETERS
.X = .040	X.O = 1.0
.XX = .015	O.XX = 0.4
.XXX = .005	0.XXX = 0.1
ANGLES ±0°30"	



THIRD ANGLE PROJECTION



REV	ECN NO.	BY	APPD	DATE	SCALE	NONE	© 1981
00	6781-04	TL	ARF	02/18/81	DRWN	BY TL	
01	6785-38	TL	RAS	10/01/81	APPD	ARF	
02	8804	RSP	AJD	07/25/83	DATE	02/18/81	
03	9090-37	JJ	RCV	09/13/84	91450-_*EA-1-04-01.dwg		
04	7097-69B	SK	<i>MA</i>	6/15/01	SHEET 1 OF 1		

WIRING DIAGRAM,
FOR ELECTRONIC OUTPUT ON TB4,
OPTION "*"EA"

DWG. NO. 91450-*EA-1

-A-