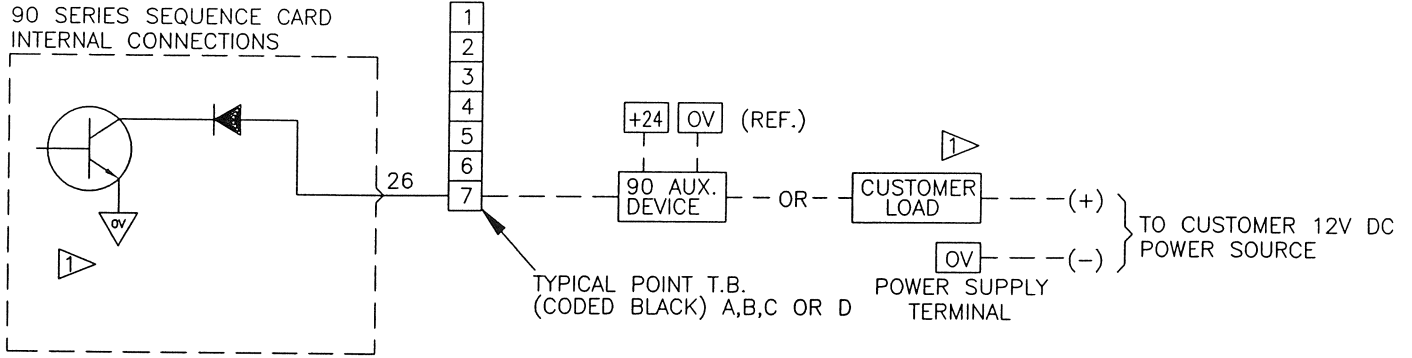


WIRING DIAGRAM

90 SERIES SEQUENCE CARD
INTERNAL CONNECTIONS



OPERATIONAL DESCRIPTION

OPTION CODE	INPUT STATUS	TRANSISTOR STATUS	DESCRIPTION
1ED	NORMAL	OFF	FOLLOWS CONTACT OR TEST PUSHBUTTON
	ALARM	ON	
	TEST	ON	
3ED	OFF	OFF	ON WHENEVER LAMP IS ON
	FF/SF/STDY	ON	
	TEST	ON	
4ED	NORMAL	OFF	FOLLOWS CONTACT ONLY
	ALARM	ON	
	TEST	OFF	

OPTION CODE	INPUT STATUS	TRANSISTOR STATUS	DESCRIPTION
5ED	OFF	OFF	ON WHEN LAMP IS ON DUE TO ALARM INPUT
	FF/SF/STDY	ON	
	TEST	OFF	
6ED	NORMAL	OFF	ON ONLY WHEN HORN IS ACTIVE
	ALARM	ON	
	ACK	OFF	
	TEST	ON	

NOTES:

- TRANSISTOR RATINGS: 20V DC; (24V DC MAX.) 10mA MAX.
SATURATION VOLTAGE: 2.0V DC @ 10mA
NOTE: TRANSISTOR EMITTER CONNECTED TO SYSTEM COMMON
- WHEN USING THIS OPTION NO LAMP OUTPUT IS AVAILABLE FROM POINT CARD.
- CAUTION: NOT TO BE USED W/REMOTE MOUNTED LOGIC SYSTEM.

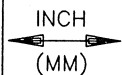
SEE SEQUENCE CARD MODEL NUMBER FOR OPTION CODE ORDERED



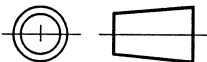
PANALARM

1725 WESTERN DRIVE, WEST CHICAGO, IL., 60185, U.S.A.
PHONE: 1-630-231-5900 FAX: 1-630-231-4502

TOLERANCE UNLESS SPECIFIED
INCHES MILLIMETERS
.X = .040 X.0 = 1.0
.XX = .015 0.X = 0.4
.XXX = .005 0.XX = 0.1
ANGLES ±0°30'



THIRD ANGLE PROJECTION



REV	ECN NO.	BY	APPD	DATE	SCALE NONE	© 1981
01	6783-38	TL	RAS	10/01/81	DRWN BY TL	
02	8900-65	MR	AHD	05/07/84	APPD ARF	
03	9090-37	JJ	RCV	09/13/84	DATE 02/18/81	
04	7099-32	KT	PG	04/08/87	91450-_ED-1-05-01.dwg	
05	7097-69B	SK	<i>max</i>	6/15/01	SHEET 1 OF 1	

WIRING DIAGRAM,
FOR ELECTRONIC OUTPUT ON TB7,
OPTION "*ED"

DWG. NO. 91450-*ED-1