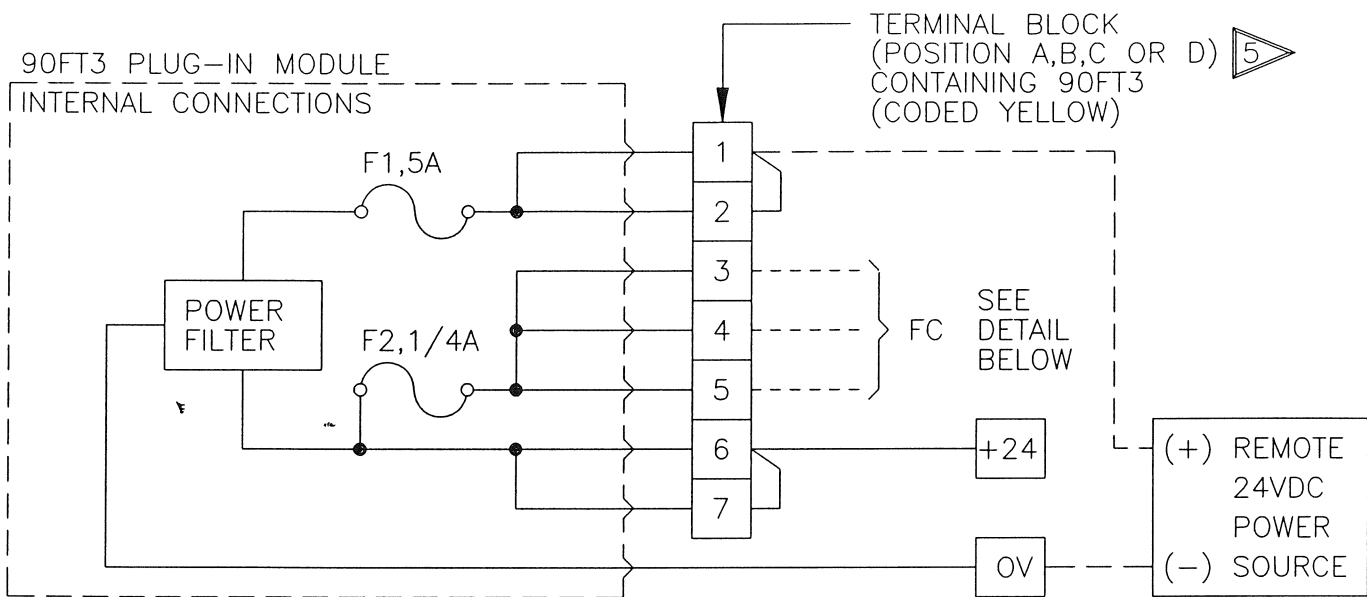
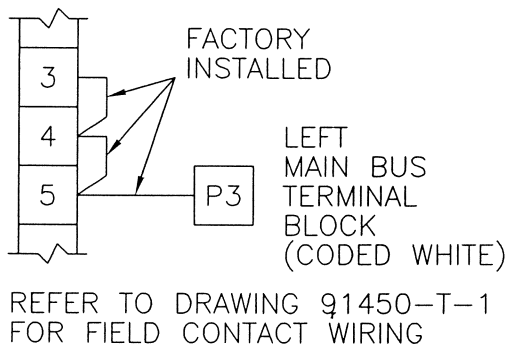


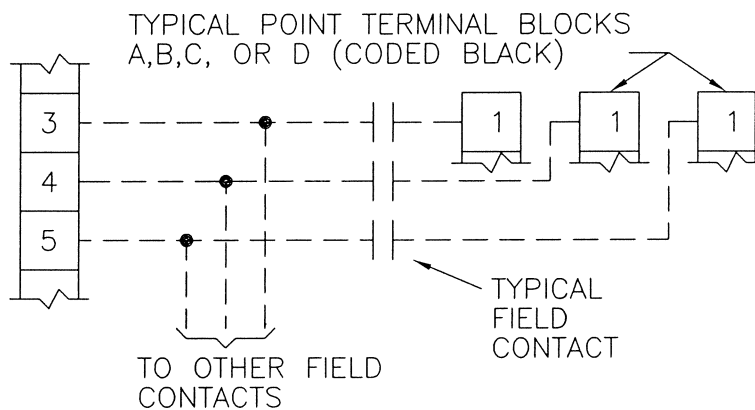
90FT3 PLUG-IN MODULE
INTERNAL CONNECTIONS



INPUT TYPE "T" WIRING



INPUT TYPE "NL" WIRING



CAUTION: POWER MUST BE REMOVED BEFORE CARD IS INSERTED OR WITHDRAWN.

NOTES:

1. VOLTAGE TO FIELD CONTACTS IS NOT ISOLATED FROM SYSTEM SUPPLY BUT IS FUSED SEPARATELY.
2. THE "90FT3" HAS A CAPACITY OF 5A AT 24VDC NOM. (125W).
3. L.E.D. STATUS INDICATORS FOR INDICATION OF FC AND +24V FUSED STATUS.
4. INPUT REVERSED POLARITY PROTECTED.

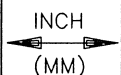
5. WHEN USED WITH 1PB, 1LT OR 1PL OPTIONS, THE "90FT3" CAN ONLY BE USED IN CARD POSITIONS "C" OR "D".



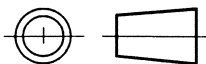
PANALARM

1725 WESTERN DRIVE, WEST CHICAGO, IL., 60185, U.S.A.
PHONE: 1-630-231-5900 FAX: 1-630-231-4502

TOLERANCE UNLESS SPECIFIED	
INCHES	MILLIMETERS
.X = .040	X.0 = 1.0
.XX = .015	0.X = 0.4
.XXX = .005	0.XX = 0.1
ANGLES ±0° 30'	



THIRD ANGLE PROJECTION



REV	ECN NO.	BY	APPD	DATE	SCALE NONE	© 1983
04	9185-15	JJ	RCV	12/16/85	DRAWN BY AK / SK	
05	9300-41	MR	RCV	09/04/86	APPD JWK	
06	110892-03	SM	JT	08/18/92	DATE 06/01/83	
07	11396	AD	CNL	06/19/95	90450-FT3-1-08-01.dwg	
08	11872	SK	<i>Handwritten initials</i>	6/15/01	SHEET 1 OF 1	

WIRING DIAGRAM, FOR SUPPLYING ANNUNCIATOR FROM REMOTE POWER SOURCE THROUGH 90FT3 FILTER

DWG. NO. 90450-FT3-1

-A-