

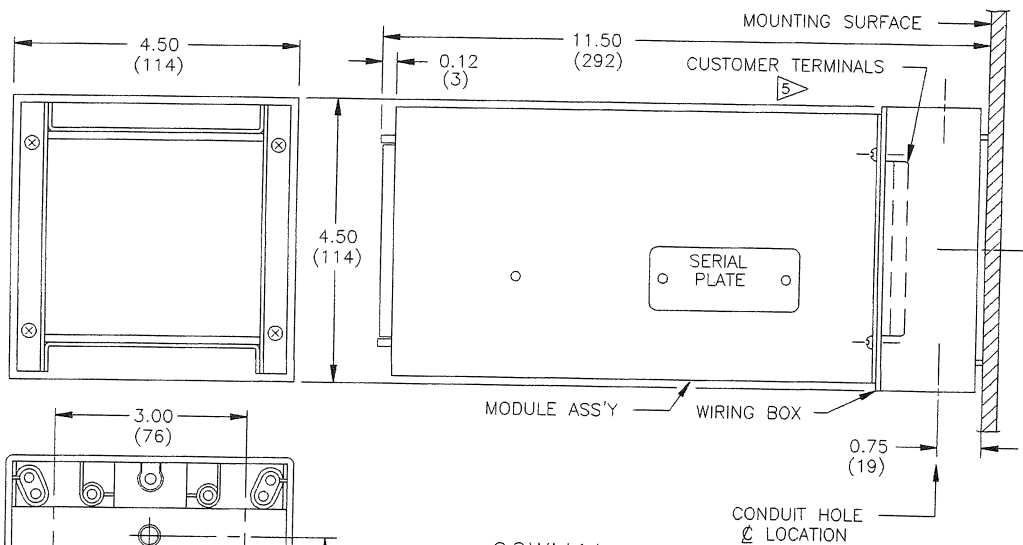
FRONT VIEW

SIDE VIEW

90WM2*

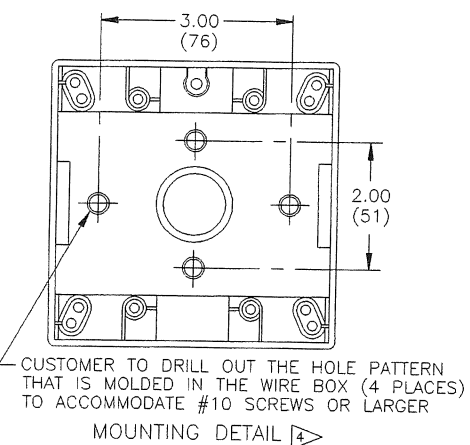
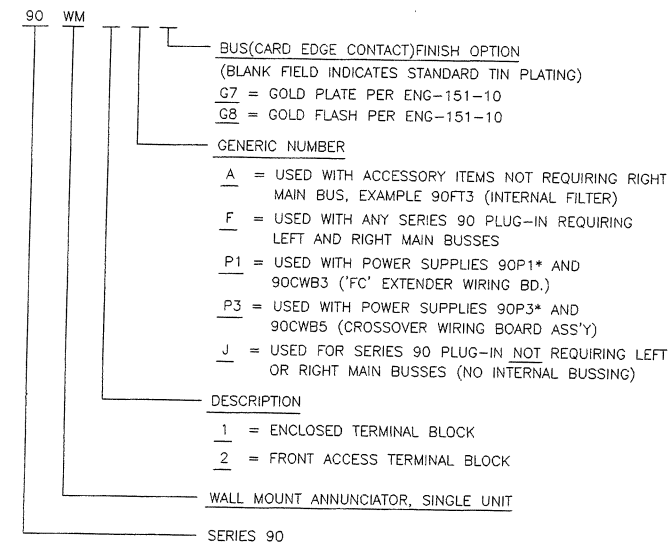
NOTES:

1. ALL DIMENSIONS ARE IN INCHES WITH CORRESPONDING MILLIMETER DIMENSIONS IN PARENTHESES.
2. CABINET FINISH FOR 90WM1* IS HAMMERTONE GRAY.
3. THREADED HOLE FOR (0.75") CONDUIT, 5 PLCS. LOCATED 2 TOP, 2 BOTTOM AND 1 REAR.
4. UNIT IS MOUNTED TO WALL USING (4) #10 OR LARGER SCREWS LOCATED PER MOUNTING DETAIL.
5. CUSTOMER TERMINALS ARE ACCESSIBLE BY REMOVING 4 SCREWS & SEPARATING MODULE ASSEMBLY FROM WIRING BOX.



90WM1*

MODEL NUMBER EXPLANATION:



MOUNTING DETAIL

REV	ECN NO.	BY	APPD	DATE	MATERIAL:
00	6803-38	CJP	RCV	06/09/81	FINISH:
01	6803-45	CJP	RCV	09/19/81	USED ON/REF. DWG
02	6783-38	WW	RJB	10/01/81	90WM*
03	10558-01	SM	JT	01/09/91	90800-WM-1
04	10684	SM	JT	10/16/92	90400-WM1*-1
05	12007	SK	F.K.	4/14/00	

TOL. UNLESS SPECIFIED	
INCHES	.XX = .015
	.XX = .010
	.XXX = .005
MILLIMETERS	X.0 = 1.0
	0.X = 0.4
	0.XX = 0.1
ANGLES X	
SCALE	INCH
NTS	(MM)

PANEL ARM	
DWN. BY	CJP/SM
APPD/DATE	RCV 06/09/81
THIRD ANGLE PROJECTION	

AMETEK	
PANEL ARM 1725 WESTERN DRIVE, WEST CHICAGO, ILL., 60185, U.S.A.	
PHONE: 1-630-231-5900 FAX: 1-630-231-4502	
DIMENSIONAL OUTLINE FOR SINGLE UNIT WALL MOUNT HOUSING, SERIES 90	
SHEET 1 OF 1	DWG. NO. 90100-WM-1